

EVC-EVREADY – FUTUREPROOF YOUR HOME

EV READY KIT FOR WALLBOX PULSAR & PULSAR PLUS EV CHARGE STATIONS



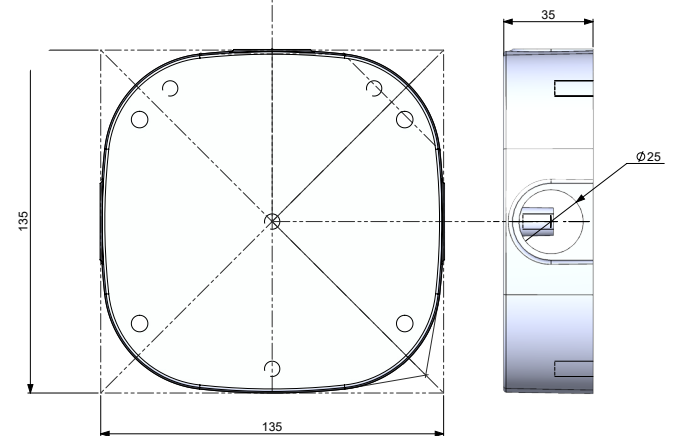
Installing an EV ready kit in any new house build or renovation is the easiest way to ensure that when the time comes to install a Wallbox Pulsar EV charging station it is simple, easy and neat.

These cost effective kits will futureproof any home while giving you the convenience of immediate access to a domestic power outlet. During the wiring phase, a dedicated circuit is created from the distribution board to the EV Ready Kit, this is then terminated as a domestic socket outlet. When you require an EV charging station it is quick and easy for an electrician to swap out the adaptor plate and socket outlet for a Wallbox Pulsar or Pulsar Plus unit.



Faceplate compatible with all standard domestic power points (power point not included)

DIMENSIONS



Cat No.

Description

EVC-EVREADY-WH EV Ready Base & Faceplate – White

EVC-EVREADY-BK EV Ready Base & Faceplate – Black

0800 442 182 | +64 9 274 3340
ev@transnet.co.nz | www.evc.co.nz



FROM THIS TO THIS AND BACK!

- It's easy for an electrician to swap the power outlet for a Wallbox Pulsar or Pulsar Plus charging station (sold separately)
- If you move house you can easily take your Wallbox EV charger with you leaving the property "EV ready" and electrically safe for the next residents (Electrician required)
- Great for businesses - remove and relocate your asset from a staff members home without expensive remedial costs of repairing walls (Electrician required).
- Available in black & white

